

RESOLUTION # 84

RESOLVED, that MaryAnn Kelts be and she is hereby appointed as alternate member of the Board of Assessment Review at a salary of \$81.06 per meeting to be paid in monthly installments by the Supervisor without the necessity of pre-audit by the Town Board.

Offered by  
Seconded by

Councilman Ball  
Councilman Boudreau  
Councilwoman Marble  
Supervisor Lawler

RESOLUTION # 85

RESOLVED, that the Town Supervisor be and he is hereby authorized to enter into an agreement with Tech Valley Concrete in the amount of \$3,990 for floor work at the Waterford Visitor Center Dock Office.

Offered by  
Seconded by

Councilman Ball  
Councilman Boudreau  
Councilwoman Marble  
Supervisor Lawler

RESOLUTION #86

RESOLVED, that the Town Board of the Town of Waterford hereby authorizes the purchase of a Mighty Voyager pool lift from Streamline Aquatics in the amount of \$8,279.88.

Offered by  
Seconded by

Councilman Ball  
Councilman Boudreau  
Councilwoman Marble  
Supervisor Lawler



**FEATURES**

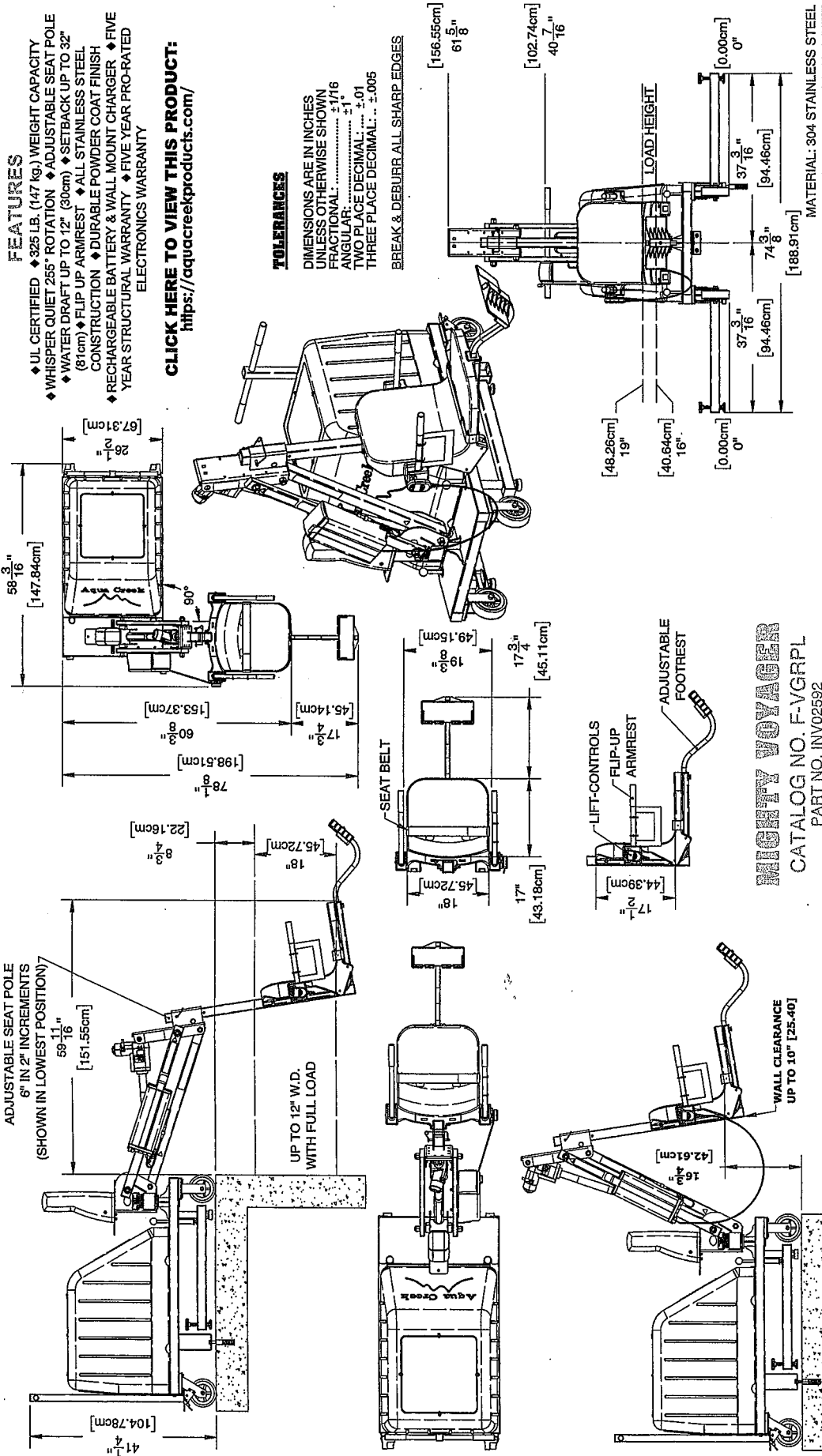
- ◆ UL CERTIFIED ◆ 325 LB. (147 kg.) WEIGHT CAPACITY
- ◆ WHISPER QUIET 255° ROTATION ◆ ADJUSTABLE SEAT POLE
- ◆ WATER DRAFT UP TO 12" (30cm) ◆ SETBACK UP TO 32" (81cm) ◆ FLIP UP ARMREST ◆ ALL STAINLESS STEEL CONSTRUCTION ◆ DURABLE POWDER COAT FINISH
- ◆ RECHARGEABLE BATTERY & WALL MOUNT CHARGER ◆ FIVE YEAR STRUCTURAL WARRANTY ◆ FIVE YEAR PRO-RATED ELECTRONICS WARRANTY

**CLICK HERE TO VIEW THIS PRODUCT:**  
<https://aquacreekproducts.com/>

**TOLERANCES**

DIMENSIONS ARE IN INCHES UNLESS OTHERWISE SHOWN  
 FRACTIONAL: ..... ±1/16  
 ANGULAR: ..... ±1°  
 TWO PLACE DECIMAL: ..... ±.01  
 THREE PLACE DECIMAL: ..... ±.005

BREAK & DEBURR ALL SHARP EDGES



**MIGHTY VOYAGER**  
 CATALOG NO. F-VGRPL  
 PART NO. INV02592  
 WEIGHT CAPACITY: 325LBS [147kg]

PROPRIETARY AND CONFIDENTIAL INFORMATION  
 THIS DRAWING AND ALL INFORMATION CONTAINED HEREIN IS THE PROPERTY OF AQUA CREEK PRODUCTS, INC. ANY REPRODUCTION IN PART OR AS A WHOLE WITHOUT WRITTEN PERMISSION FROM AQUA CREEK IS PROHIBITED.  
 \*SPECIFICATIONS ARE SUBJECT TO CHANGE WITHOUT NOTICE

9889 GARRYMORE LANE  
 MISSOULA, MT 59808  
 (406) 549-0769  
 FAX (406) 549-2602  
 www.AquaCreek.com



REV.	DESCRIPTION	DATE	APPROVED
P1	INITIAL RELEASE	5/18/2021	J.MAXWELL

MATERIAL: 304 STAINLESS STEEL  
 FINISH: POWDER COAT - WHITE  
 APPROX. WEIGHT: 317.07 LBS.

Tech Valley Concrete Inc  
11 N. Main Street  
Voorheesville, NY 12186 US  
(518) 858-7526  
reilly809@hotmail.com



## Estimate

### ADDRESS

Jeff Cleary  
Town Of Waterford  
1 Tugboat Ally  
Waterford, NY 12188

ESTIMATE # 1445

DATE 05/03/2023

---

ACTIVITY	QTY	RATE	AMOUNT
<b>Epoxy</b>	456	8.75	3,990.00

Visitor Center Office : Prepare concrete for flooring systems by means of shotblasting and/or diamond grinding using hepa dust collectors . Cracks and expansion joints will be chased with diamond blade and filled with epoxy as well as gouges or chips in the floor. A liquid vapor barrier is applied to concrete and allowed to cure . A coat of pigmented epoxy is applied and allowed to cure. The colors of choice are added to epoxy and applied to the floor and worked together to give desired effects and then allowed to cure overnight . After curing a urethane topcoat is applied to add a more durable, scratch and chemical resistance layer . An additional two days should be allowed for curing of urethane topcoat before the floor is returned to service .

Project will take 5 days with 2 additional days of cure time, during which the project area will be completely closed off to any entry . Materials and workmanship is warranted for 2 years from date of completion.

---

This is the one I recommended as it would add a very nice look to the space and go with the theme of water.

TOTAL

**\$3,990.00**

Accepted By

Accepted Date